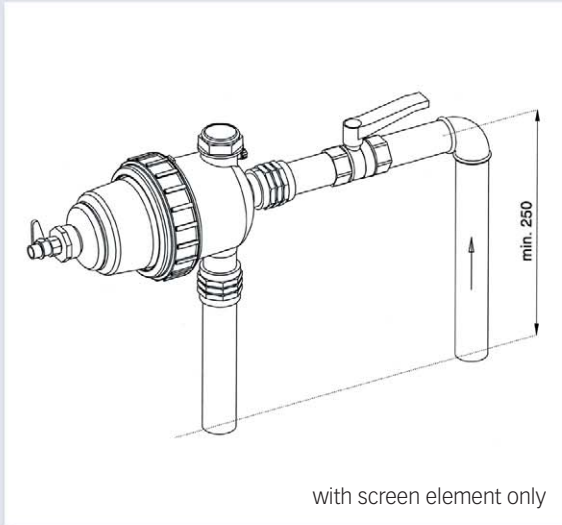
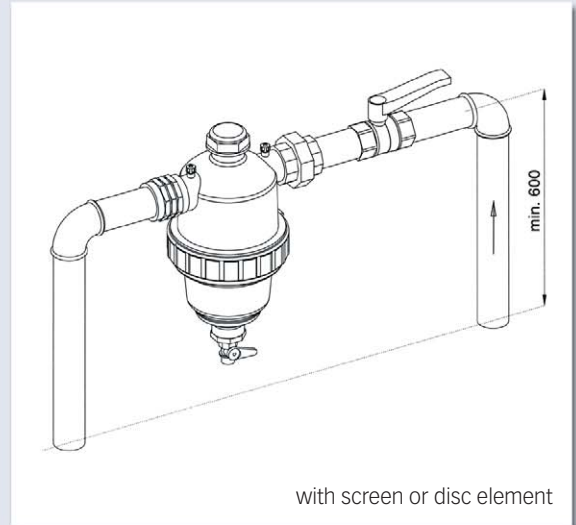


2" - 3" PLASTIC FILTERS FOR FLOW RATES UP TO 50 m³/h

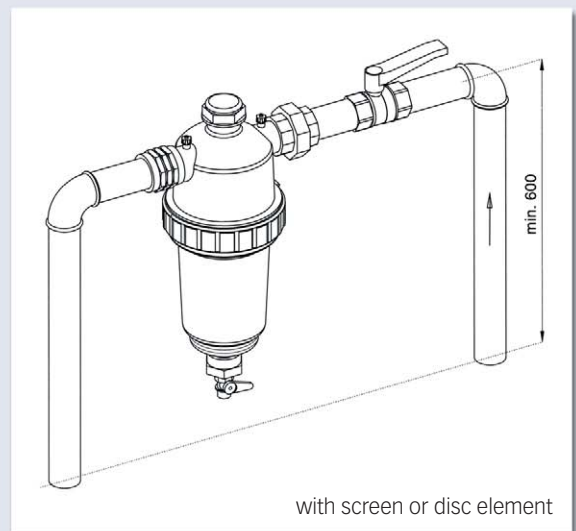
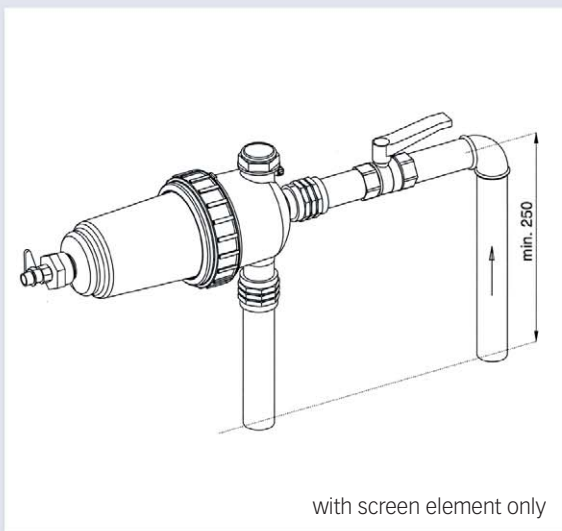
2"T



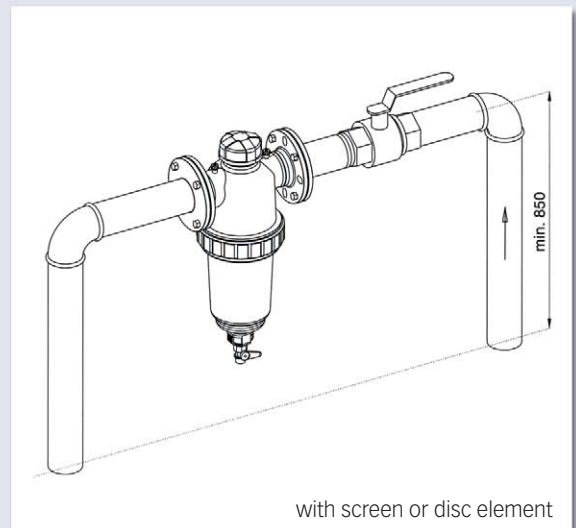
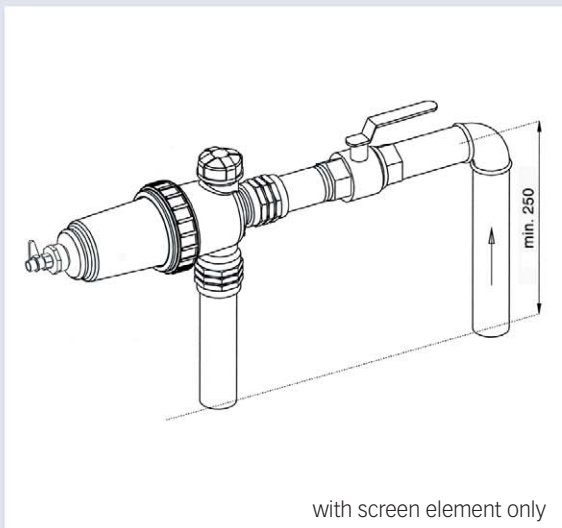
Suggested installations



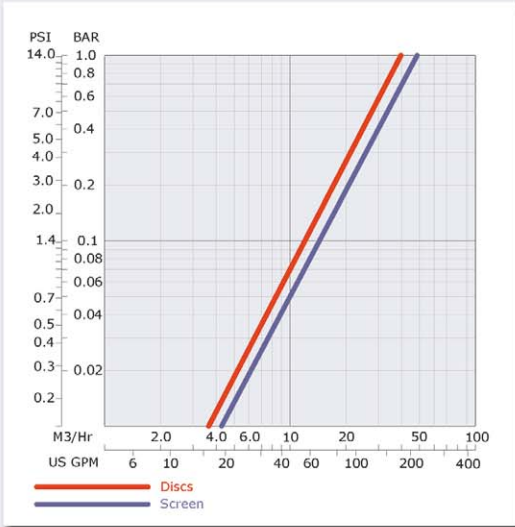
2"T-Super



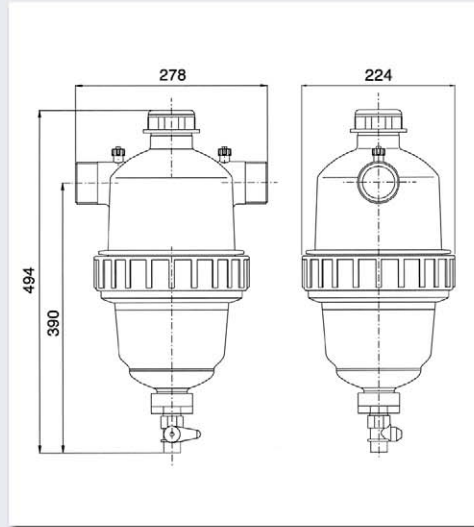
3"T



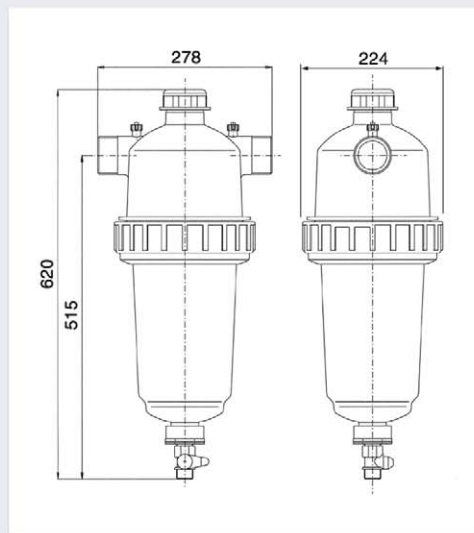
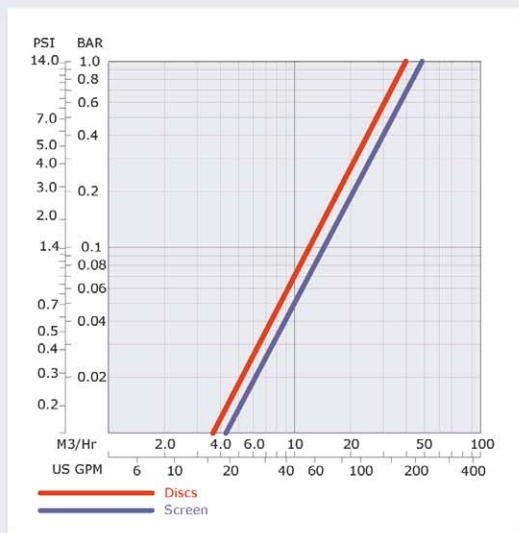
Pressure loss graphs



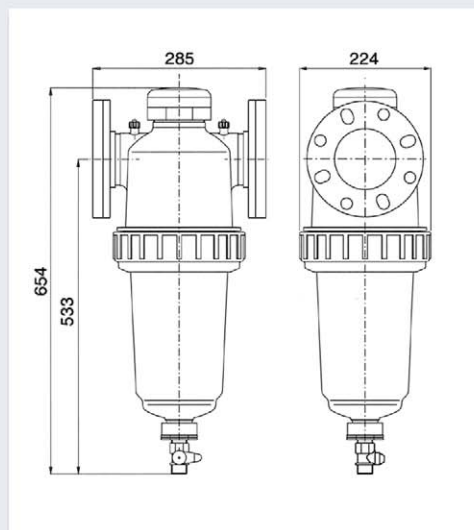
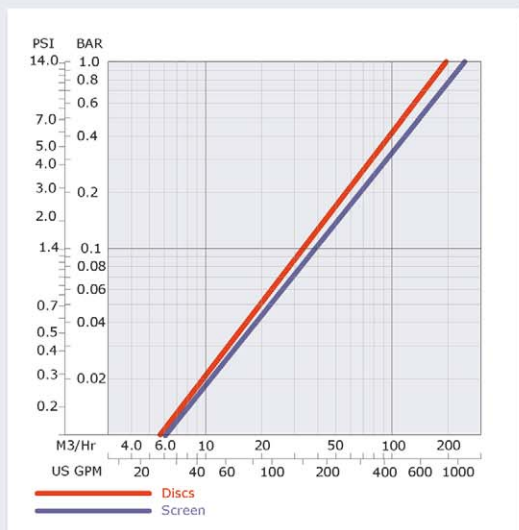
Dimensional drawings



2”T



2”T-Super



3”T

