

Galconit 2007 Watering Controller Installation and Operation Instructions

Congratulations on your purchase of the Galconit 2007 watering controller. The battery-operated Galconit 2007 is reliable, weather resistant and easy to use. And quick connection and disconnection enable simple and efficient maintenance.

Follow the operating instructions carefully to ensure the good working order of the controller and the valve.

1. Parts Identification

1. Battery compartment cover
2. Battery (9V alkaline only)
3. Solenoid
4. Adapter
5. Hydraulic valve
6. Water flow direction arrows
7. Mechanical operation handle
8. Set button
9. Cycle selector
10. Selector Programming Tool

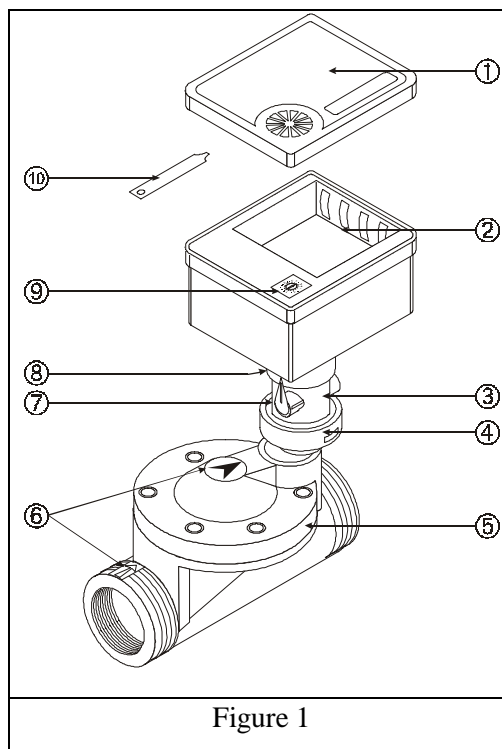


Figure 1

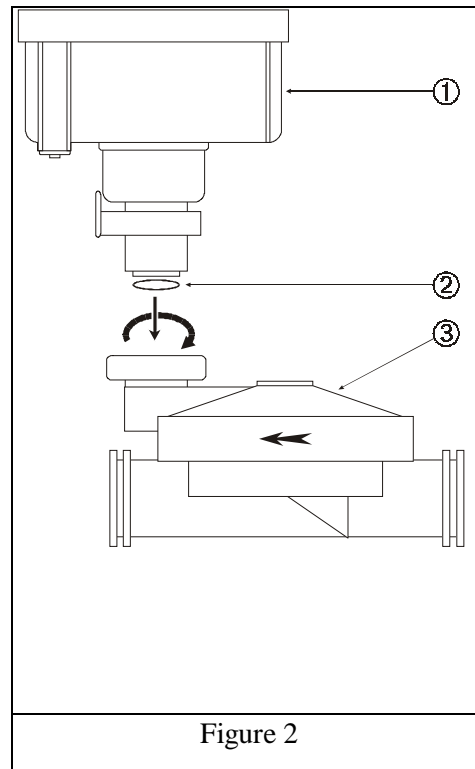
2. Installing the Controller

1. Close the main water tap.
2. Before connecting the hydraulic valve to the watering system, detach the valve from the controller [1] by a 1/4-turn counter-clockwise.

Note: Be careful not to lose the O-ring [2].

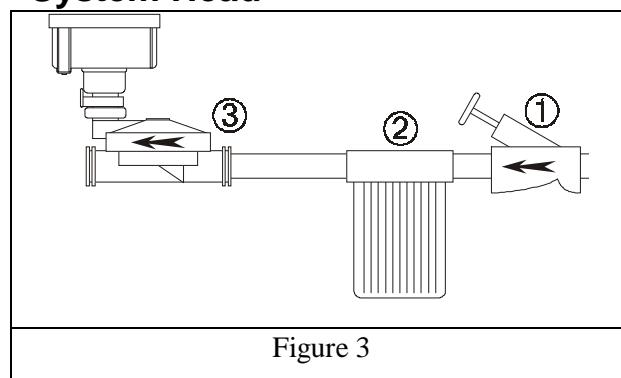
3. Mount the valve [1] in the watering system as shown in Figure 3. Make sure that the arrow on the valve points in the direction of water flow.
4. Reconnect the controller to the valve by a 1/4-turn clockwise.
5. Turn the mechanical operation handle to its mid-position (AUTO).

- ☞ Be sure to reassemble the O-ring [2].
- ☞ To prevent clogging of the valve, a filter must be installed between the valve and the main water tap. [Fig. 3].



System Head

1. Main tap
2. Filter
3. Valve and controller



3. Test Run

1. Ensure that the cycle selector is in the 0-position.
2. Insert 2 new 9V alkaline batteries according to the polarity markings (+ and -) inside the battery compartment. **Note:** the batteries must be inserted bottom first.
3. Ensure that the mechanical operation handle is in the AUTO (vertical) position.
4. Open the water source.
5. Press the Set button: You will hear a click. The valve is open.
6. Press the Set button again.: You will hear a click. The valve is now closed. The controller is now ready and may be programmed.

4. Programming the Controller

Three settings must be defined for the watering regime.

- Watering duration: the amount of time that the valve stays open.
- Watering cycle: the interval between waterings. Measured from the start of one watering until the start of the following watering.
- Start time: the actual time at which the cycle starts.

4.1. Programming the watering duration and start time

1. Ensure that the selector is in the 0-position.
2. At the time that you want watering to start, press the Set button to open the water.
3. At the end of the desired watering duration, press the Set button again to shut off the water.

The controller now "remembers" the watering duration and start time, and will repeat them in accordance with the watering cycle that you define in the next step.

4.2. Programming the watering cycle

Using the included Selector Programming Tool, turn the cycle selector until the arrow points to the desired cycle setting, according to the following table:

Selector Position	Cycle Duration
0	(Programming mode)
1	45 minutes
2	90 minutes
3	3 hours
4	6 hours
5	12 hours
6	1 day
7	2 days
8	3 days
9	4 days
A	5 days
B	6 days
C	7 days
D	10 days
E	14 days
F	21 days

4. 3. Example: Programming a watering regime

Say, for example, you want to water once every two days, at 8 am, for 30 minutes.

1. Make sure that the valve is open.
2. Ensure that the cycle selector is set to the 0 position (programming mode).
3. At 8 am, press the Set button to open the water.
4. Thirty minutes later, press the Set button again to shut off the water.
5. Using the Selector Programming Tool, set the cycle selector to the 7-position.

The controller now has a complete watering regime (see Figure 4).

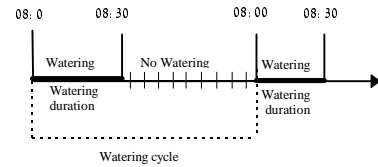


Figure 4

5. Additional Options

5. 1. "Manual" Watering via the Controller

The controller can be operated manually, without changing the program (provided that the selector is not in the 0-position). Simply press the Set button to start watering. Watering will automatically terminate at the end of the programmed watering duration.

To shorten the watering duration, press the Set button again.

Water flow can also be manually opened or shut off using the mechanical operation handle (even without batteries). After watering in this way, always return the handle to the AUTO position.

- ☞ **"Manual" watering via the controller does not affect the original watering program set by you. The controller will revert to your watering program after such operation.**

5. 2. Programming the watering start time 12 hours in advance

This function is useful if you want to water at night.

1. Move the selector to the 0-position (programming mode).
2. Twelve hours before you want watering to start, press the Set button (you will hear a click). Press continuously until you hear another 2 clicks. The valve will open. For example, if you want watering to start at 03:00 (in the morning), perform the above action at 15:00 (in the afternoon).
3. When the desired watering duration has elapsed, press the Set button again to shut off the water. The controller "remembers" the watering duration, and as of the next watering, will open at night.
4. Using the Selector Programming Tool, move the selector arrow to the position of the watering cycle that you want (according to the table displayed on the controller). The next watering will occur after the cycle you chose, less 12 hours. For example, if you chose a 3-day cycle (position 8 on the selector), the first watering will occur after two-and-half days, and subsequent waterings every 3 days.